

**TOOLS**

**F19F5301**

Technical Design



**Description**

Fixed semirecessed light with structure in wear-resistant plastic Grivory® material designed to withstand high temperatures. Design conceived to reduce the time required for installation, assembly and maintenance.

**Voltage**

500mA

**Light source and alternative bulbs**

LED 1x20W-34°  
3000K  
1600lm Cri 80+

**Included accessories**

LED

**Not included accessories**

LED converter

**Weight Lamp**

Net: 0.34 kg

**Packaging**

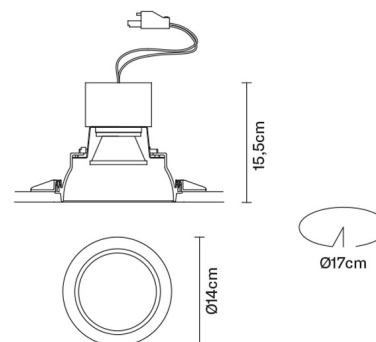
Gross weight: 1 kg  
Volume: 0.023 m³  
Number of boxes: 2

**Specs**

IP20



**Dimensions**



**Material**

Grivory®

**Available structure colours**

White

**In the same family**



Square  
dowlight

Sphere  
dowlight