

TOOLS

F19F5401

Technical Design



Description

Fixed semirecessed light with structure in wear-resistant plastic Grivory® material designed to withstand high temperatures. Design conceived to reduce the time required for installation, assembly and maintenance.

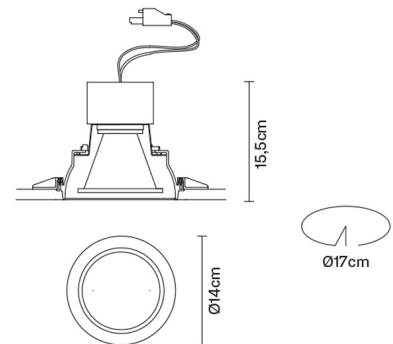
Voltage

500mA

Light source and alternative bulbs

LED 1x20W-22°
3000K
1600lm Cri 80+

Dimensions



Material

Grivory®

Available structure colours

White

Included accessories

LED

Not included accessories

LED converter

Weight Lamp

Net: 0.34 kg

Packaging

Gross weight: 1 kg
Volume: 0.023 m³
Number of boxes: 2

In the same family



Square
dowlight



Sphere
dowlight

Specs

IP20

