

TOOLS

F19F6302

Technical Design



Description

Adjustable semirecessed light with structure in wear-resistant plastic Grivory® material designed to withstand high temperatures, and chromed or powder-painted metal. Design conceived to reduce the time required for installation, assembly and maintenance.

Voltage

500mA

Light source and alternative bulbs

LED 1x20W-34°
3000K
1600lm Cri 80+

Included accessories

LED

Not included accessories

LED converter

Weight Lamp

Net: 0.61 kg

Packaging

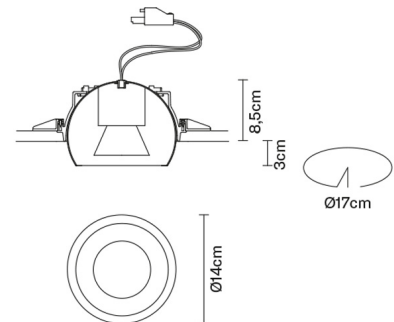
Gross weight: 1.27 kg
Volume: 0.023 m³
Number of boxes: 2

Specs

IP20



Dimensions



Material

Grivory® - Metal

Available structure colours

- Black
- Other colours available

In the same family



Square
downlight

Round
downlight