

**FREELINE**  
**F44A0302**

*Flynn Talbot*

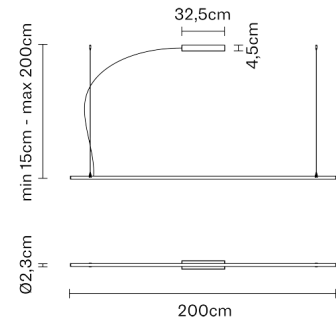


**Description**

Pendant lamp with black anodized aluminium structure. Adjustable diffuser for direct or indirect light.



**Dimensions**



**Voltage**

220-240V

**Dimmable LED**

PUSH 1..10V

**Material**

Aluminium

**Light source and alternative bulbs**

LED 1x28.8W-  
3000K  
Cri 90+

**Available structure colours**

- Black
- Other colours available

**Included accessories**

LED  
Dimmable electronic driver

**In the same family**



Ceiling

System

**Weight Lamp**

Net: 1 kg

**Packaging**

Gross weight: 0 kg  
Volume: 0 m<sup>3</sup>  
Number of boxes: 2

**Specs**

IP40

