

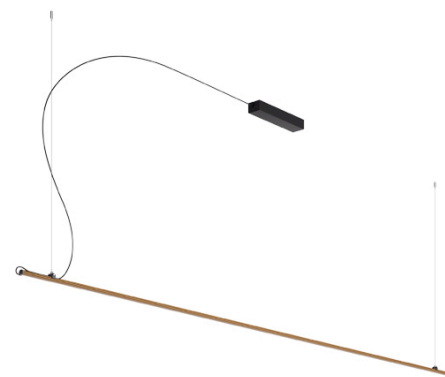
FREELINE F44A0576

Flynn Talbot

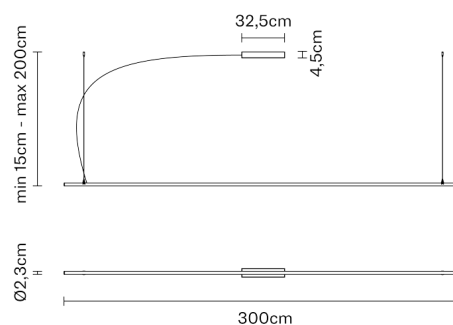


Description

Pendant lamp with bronze anodized aluminium structure. Adjustable diffuser for direct or indirect light.



Dimensions



Voltage

220-240V

Dimmable LED

PUSH 1..10V

Material

Aluminium

Light source and alternative bulbs

LED 1x43.2W-
3000K
Cri 90+

Available structure colours

- Bronze
- Other colours available

Included accessories

LED
Dimmable electronic driver

In the same family



Ceiling

System

Weight Lamp

Net: 1.4 kg

Packaging

Gross weight: 0 kg
Volume: 0 m³
Number of boxes: 2

Specs

IP40

