

**FREELINE**

**F44E0176**

*Flynn Talbot*

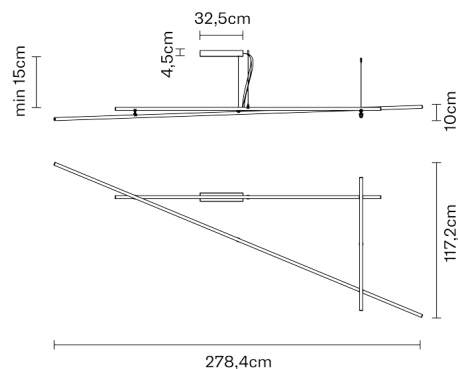


**Description**

Ceiling lamp with black anodized aluminium structure.



**Dimensions**



**Voltage**

220-240V

**Dimmable LED**

PUSH 1..10V

**Material**

Aluminium

**Light source and alternative bulbs**

LED 1x86.4W-  
3000K  
Cri 90+

**Available structure colours**

- Bronze
- Other colours available

**Included accessories**

LED  
Dimmable electronic driver

**In the same family**



Pendant

System

**Weight Lamp**

Net: 4 kg

**Packaging**

Gross weight: 0 kg  
Volume: 0 m<sup>3</sup>  
Number of boxes: 4

**Specs**

IP40

