

## FREELINE F44E0276

Flynn Talbot



### Description

Ceiling lamp with black anodized aluminium structure.

### Voltage

220-240V

### Dimmable LED

PUSH 1..10V

### Light source and alternative bulbs

### Included accessories

LED  
Dimmable electronic driver

### Weight Lamp

Net: 4 kg

### Packaging

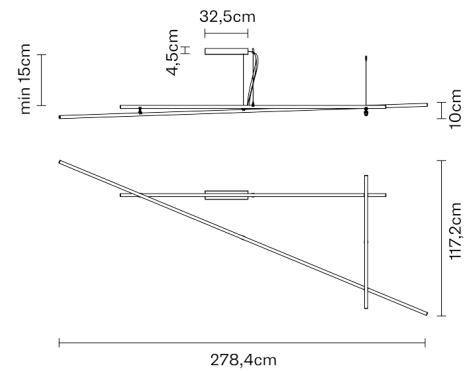
Gross weight: 0 kg  
Volume: 0 m<sup>3</sup>  
Number of boxes: 4

### Specs

IP40



### Dimensions



### Material

Aluminium

### Available structure colours

- Bronze
- Other colours available

### In the same family



Pendant



System